

35X35X10 mm

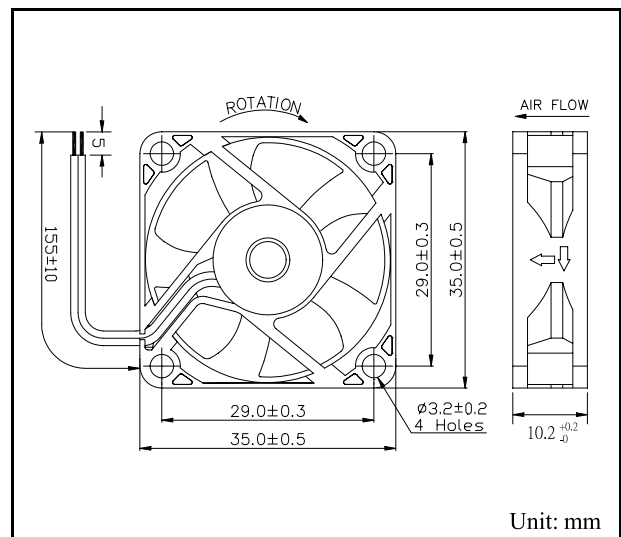
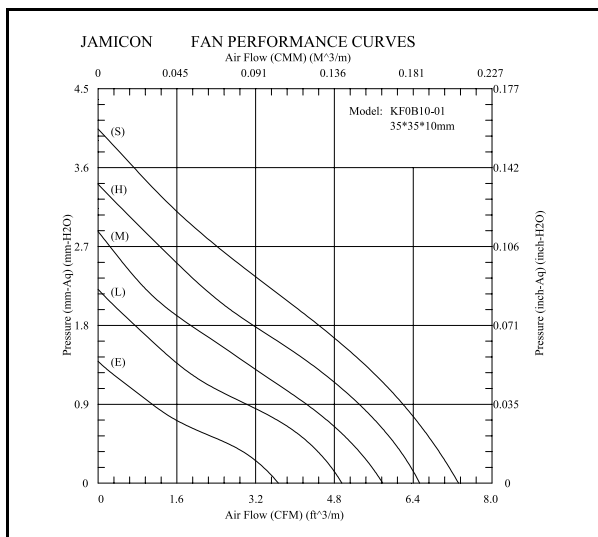
KFOB10-01 Series

- **Frame** : Plastic Material UL 94V-0
- **Impeller** : Plastic Material UL 94V-0
- **Speed Range** : $\pm 15\%$



SPECIFICATIONS											
Model	Bearing	Rated Voltage (V)	Operating Voltage (V)	Air Flow (CFM)	Static Pressure (inchH ₂ O)	Speed (R.P.M.)	Input Current (Amp)	Input Power (Watt)	Nominal Power (Watt)	Noise (dBA)	Weight (g)
KFOB10B5SR01	Dual Ball	5	4.25 ~ 5.75	7.32	0.159	9500	0.23	1.15	1.2	29.9	8.0
KFOB10B5HR01				6.53	0.134	8500	0.21	1.05	1.1	26.3	
KFOB10B5MR01				5.78	0.113	7500	0.14	0.70	0.8	24.5	
KFOB10B5LR01				4.95	0.087	6500	0.09	0.45	0.5	20.7	
KFOB10B5ER01				3.66	0.055	4800	0.07	0.35	0.4	15.0	
KFOB10B1SR01		12	10.2 ~ 13.8	7.32	0.159	9500	0.13	1.56	1.7	29.9	
KFOB10B1HR01				6.53	0.134	8500	0.10	1.20	1.2	26.3	
KFOB10B1MR01				5.78	0.113	7500	0.08	0.96	1.0	24.5	
KFOB10B1LR01				4.95	0.087	6500	0.06	0.72	0.8	20.7	
KFOB10B1ER01				3.66	0.055	4800	0.05	0.60	0.6	15.0	

Specifications subject to change without notice



Unit: mm